

STUART

Pulse OEM 25/60-130 Circulator

Our Stuart Pulse OEM 25/60-130 Circulator features a robust cast iron pump housing and is ideal for the transfer of liquid within systems for hot-water heating, air-conditioning and ventilation.

This circulator features variable speed controls to constantly measure pressure and flow and adjust the speed according to the set operating mode.

The OEM Circulator is suitable for Underfloor Heating, Pre-Plumbed Cylinder and Boiler applications. Other variants with PWM available on request.



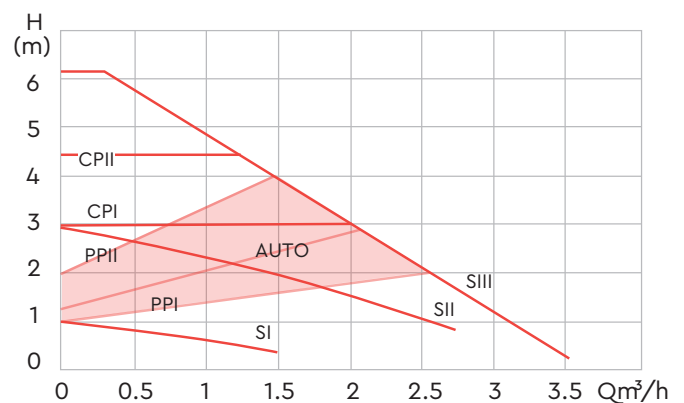
Features

- Automatic, proportional pressure, constant pressure and constant speed operating modes
- Automatic night setback
- ECM permanent magnet technology
- Power range can be converted from 4m to 6m
- Robust cast iron housing
- 130 mm fitted length
- G 1½ threaded connection
- ErP compliant
- Built-in over-current, temperature and over-voltage protection
- LED display control panel
- Anti-lock function
- 3 year warranty

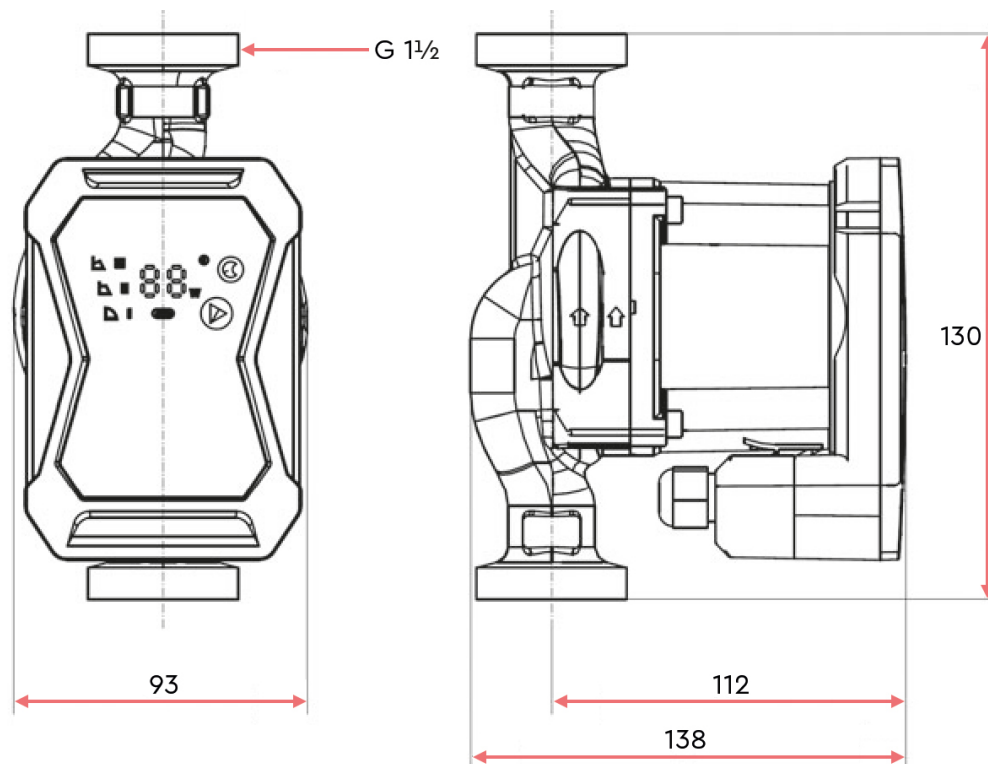
Applications

- Hot-water heating systems
- Air conditioning and ventilation systems
- Underfloor Heating, Pre-Plumbed Cylinder and Boiler applications

Performance



Model		OEM 25/60-130 Circulator
General	Warranty	3 years
Features	Pump type	Centrifugal
	Fitting length	130 mm
	Speed settings	Variable
Materials	Pump body	Cast iron cataphoresic coated
Performance	Maximum head (closed valve)	6.0 metres
	Maximum flow	3.6 m ³ /h
	Maximum working pressure	10 bar
	Minimum inlet pressure	0.05 bar <75 °C (fluid temperature) 0.3 bar 75 °C – 90 °C (fluid temperature) 1.1 bar 90 °C – 110 °C (fluid temperature)
	Min / Max water temperature	5 °C to 110 °C
	Max ambient air temperature	40 °C
Connections	Inlet / outlet	G 1½
Motor	Type	Permanent magnet rotor
	Duty rating	Continuous (S1)
Electrical	Power supply / phase / frequency	230 V a.c. / 1 / 50 Hz
	Power consumption	4.5 – 38 Watts
	Current (full load)	0.17 Amps
	Fuse rating	5 Amps
	EEL	≤ 0.20
Physical	Enclosure protection	IP42
	Depth	138 mm
	Width	93 mm
	Height	130 mm
	Weight	2.12 Kg



Stuart Turner Limited reserves the right to amend specifications without notice.

Stuart Turner Ltd, Henley-on-Thames, Oxfordshire RG9 2AD Tel: +44 (0) 1491 572655 Fax: +44 (0) 1491 573704
 TechAssist Helpline +44 (0) 800 31 969 80
www.stuart-turner.co.uk

Pt. No. 47486 Issue 1622-01-01