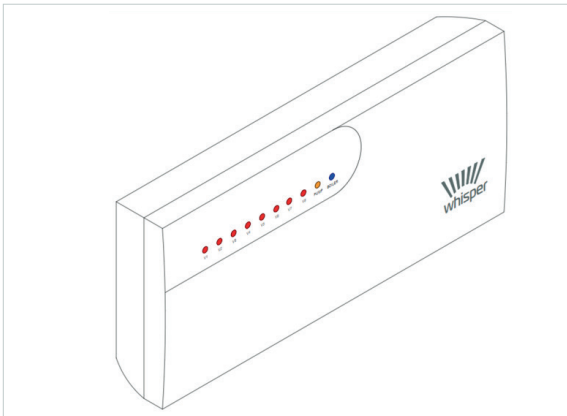


KF-600 8W Essence Wiring Centre

Product overview



The KF-600 is an 8 way wiring centre for controlling the heating systems with a 230v power supply. The KF-600 can be used to control up to 8 under-floor heating zones with 230v thermostat zone control.

- Gold LED pump indicator light when secondary UFH circulator pump is running.
- Blue LED boiler indicator light when UFH system signals energy source for heat.
- Red LED zone indicator lights when circuit is open to allow flow to UFH zone.
- Adjustable pump delay to alleviate stress on secondary UFH circulator pump.
- Up to 2 thermal actuators per zone per allowing up to 16 UFH circuits in total.
- Multiple circuits can be controlled by a single zone control thermostat, up to 8 in total.

Technical specifications

Item	230V Wiring Centre
Product Code	CWS WCN8 600
Dimensions	100 x 240 x 42mm
Mounting Type	On Wall/DIN rail mounting
Colour	White
Voltage	230V AC
Power Consumption	< 3W
Max Load Current	3A (per output)
No. of zones	8
Working Temp	-20-60°C

Safety

- This product should be installed by a qualified electrician.
- Ensure that the electrical wiring of the installation and connections to and from the thermostat and any remote sensor connected to it are in accordance with BS7971, the latest edition of IET wiring regulations.
- The thermostat must be wired to the electric mains through a switch capable of disconnecting all poles compliant with the current safety standards and with a contact separation of at least 3mm in all poles.
- Before commencing work on the installation, the electricity supply must be disconnected.

Disposal

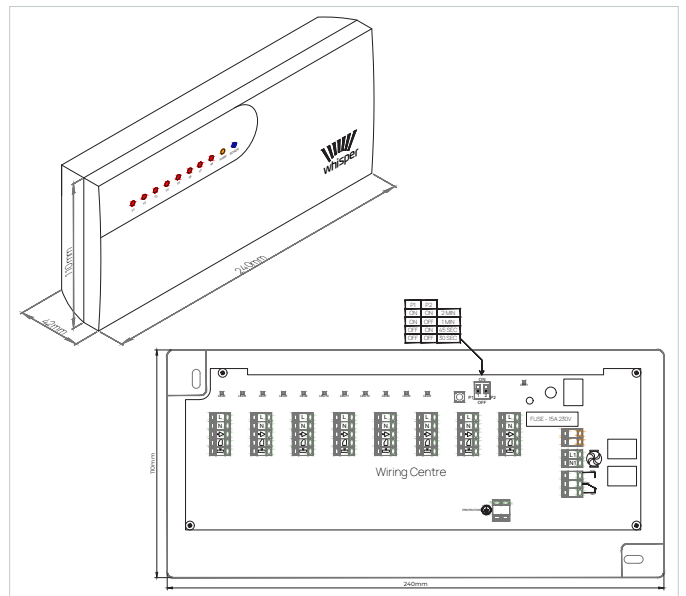


This product should not be disposed of in household waste. The product should be disposed of in accordance with your local waste and recycling schemes.

Installation

- Remove the front casing by loosening the two screws on the low side of the wiring centre.
- Set aside the front housing, ready to reattach once final work has finished.
- Secure the wiring centre to the wall via the two fixing holes (top left corner and bottom right corner) or by clipping it to a DIN rail.
- Make wiring connection as shown in the wiring diagram.
- Reattach front cover and tighten the screws.

Dimensions pictures



LED's, Dip Switches, and Button Information

LED 1: this LED is lit when wiring centre has power connected and live.
LED 2: this LED flashes to confirm wiring centre and time controls are all working correctly.

When the front cover is on and the wiring centre is working but with NO call for heat, LED 2 can be seen flashing faintly through the boiler indicator.

This is okay and normal.

Dip switches can be used to set the delay of the pump and boiler as shown on the wiring diagram.

The button can be used to test the pump and boiler outputs are working correctly.

This test overrides the time setting of the dip switches. To test follow steps below;

Un-power the wiring centre and remove front cover by loosening the two screw on the lower side.

Ensure at least one thermostat is set to call for heat or add a link wire to represent a call for heat.

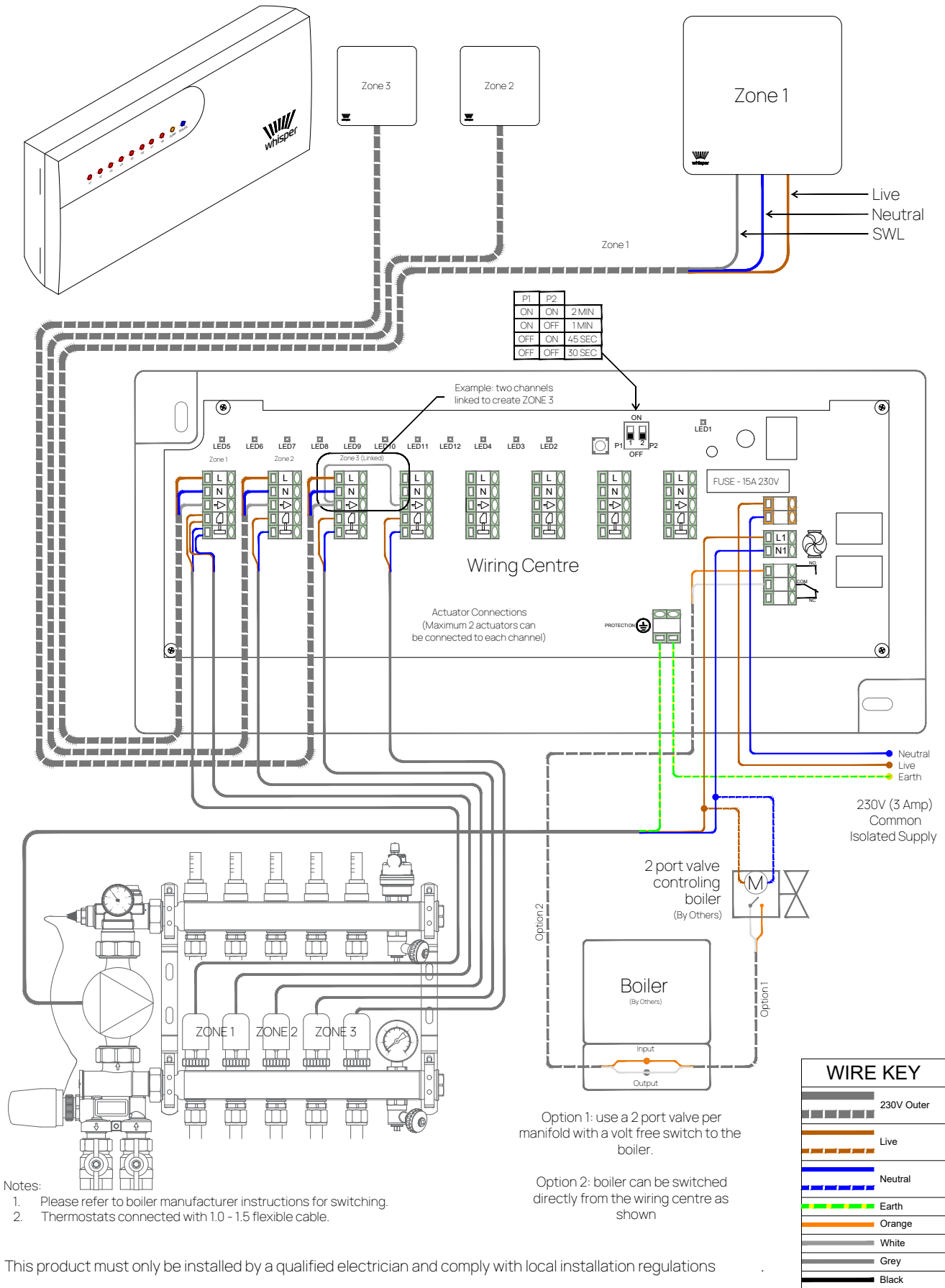
Push and hold the button using an electrically safe tool.

Reinstate power to the wiring centre and you will see LED 1, LED 2, and the pump and boiler LEDs come on. Now confirm the boiler and pump are operating.

This will automatically reset after 20 mins, or un-power the wiring centre.



KF-600 8W Essence Wiring Centre



- Notes:
1. Please refer to boiler manufacturer instructions for switching.
 2. Thermostats connected with 1.0 - 1.5 flexible cable.

Option 1: use a 2 port valve per manifold with a volt free switch to the boiler.

Option 2: boiler can be switched directly from the wiring centre as shown

This product must only be installed by a qualified electrician and comply with local installation regulations

